



# Intent Defined Storage for Container Era

Ashok Rajagopalan

Sr. Director, Products

Datera, Inc



# Containers?



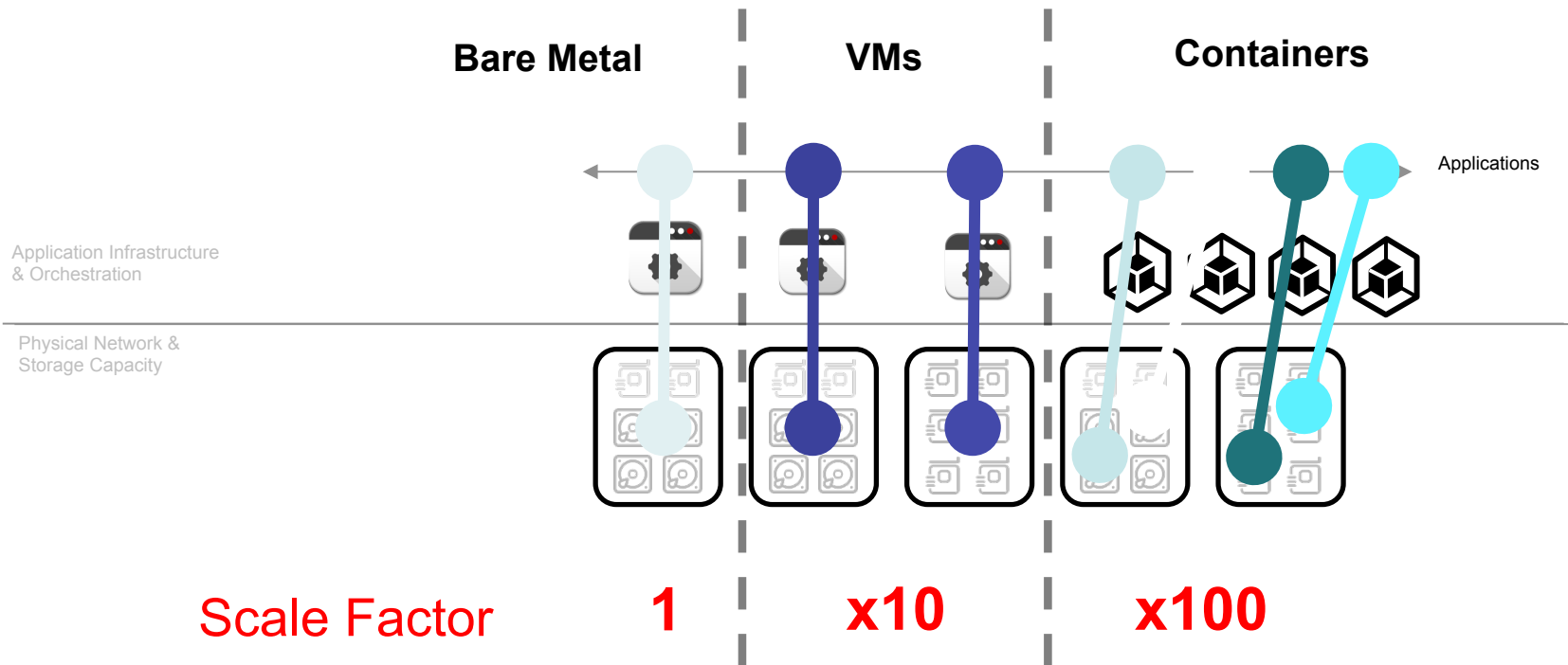
Containers are the new “virtual machines”

Containers include the application and all of its dependencies

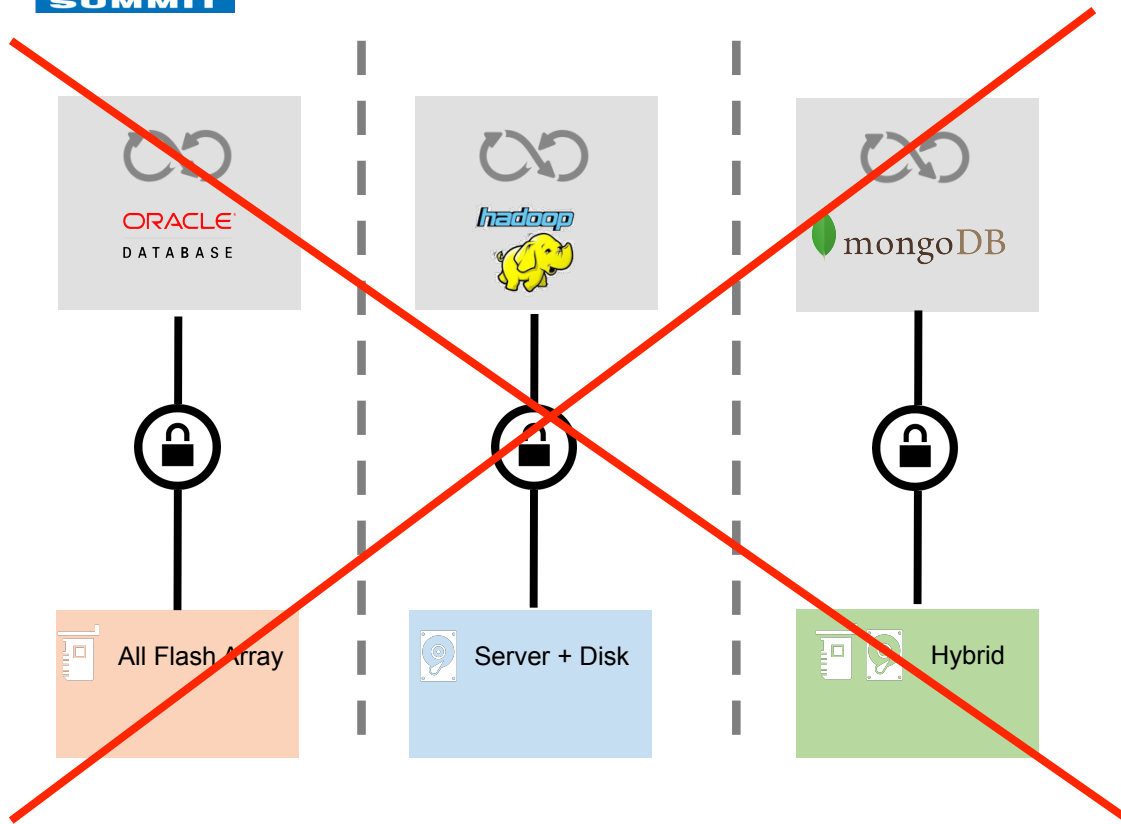
Shares the kernel – running as isolated processes in user space

Run on any computer, any infrastructure, and cloud

# Scale Problem



# App-Infra Silos



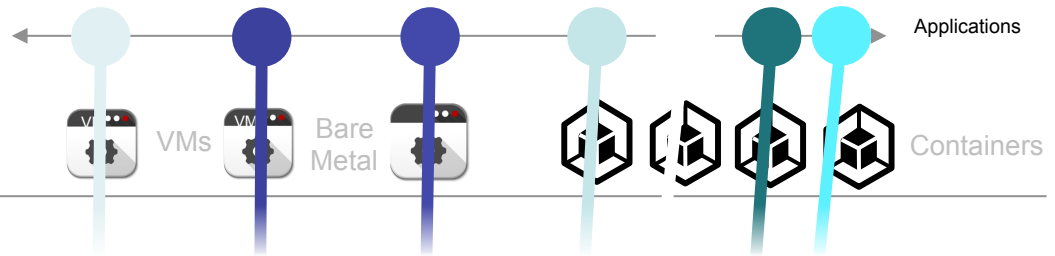
## Containers drive:

- Workloads are decomposed to micro-services
- Mix of micro-services to deliver a business application
- On-demand deployment, scaling and provisioning



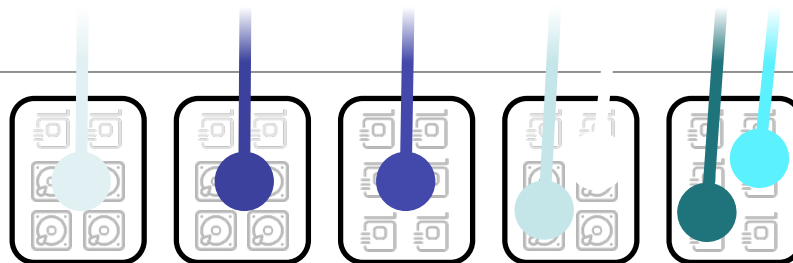
# “Mixed Apps + Scale” new reality

Application Infrastructure & Orchestration



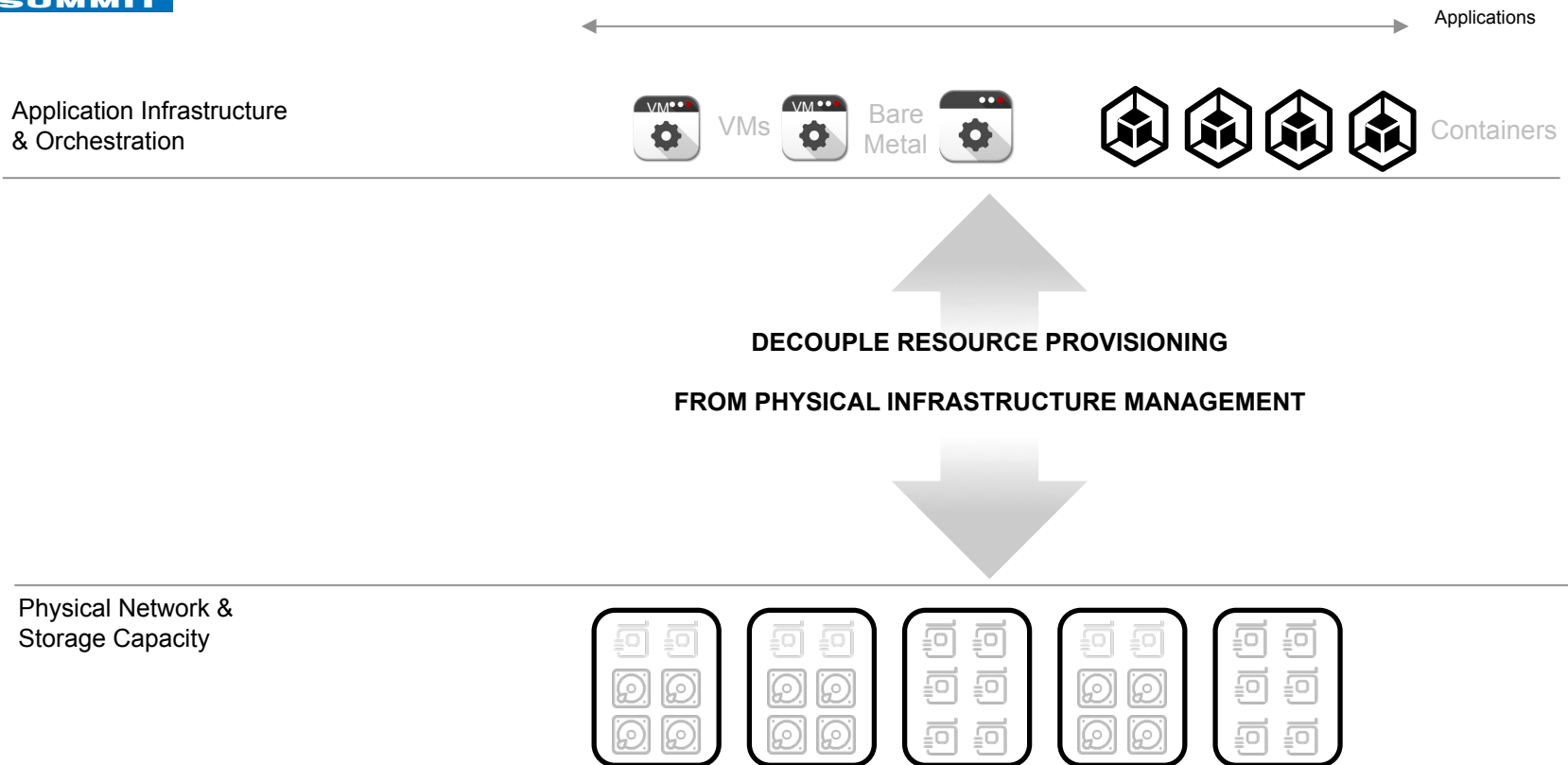
**OPERATIONAL DISCONNECT**  
**INFRASTRUCTURE FRAGMENTATION**  
**LOW ASSET UTILIZATION**

Physical Network & Storage Capacity





# Solution: Decouple “App Intent” from infra





## Other Trends

- Hardware commoditization
- Software driven programmability
- Grow as you grow, technology refresh
- Multiple memory hierarchies – not all flash is equal
- Flat datacenter networking fabrics
- Cloud service model



# Resource Pooling & Intent-Based Policy

MODE 1

Datacenter Defrag

MODE 2

