



How to Develop UFS-Compliant Products

Perry Keller

Program Manager/Standards & Applications

Keysight Technologies

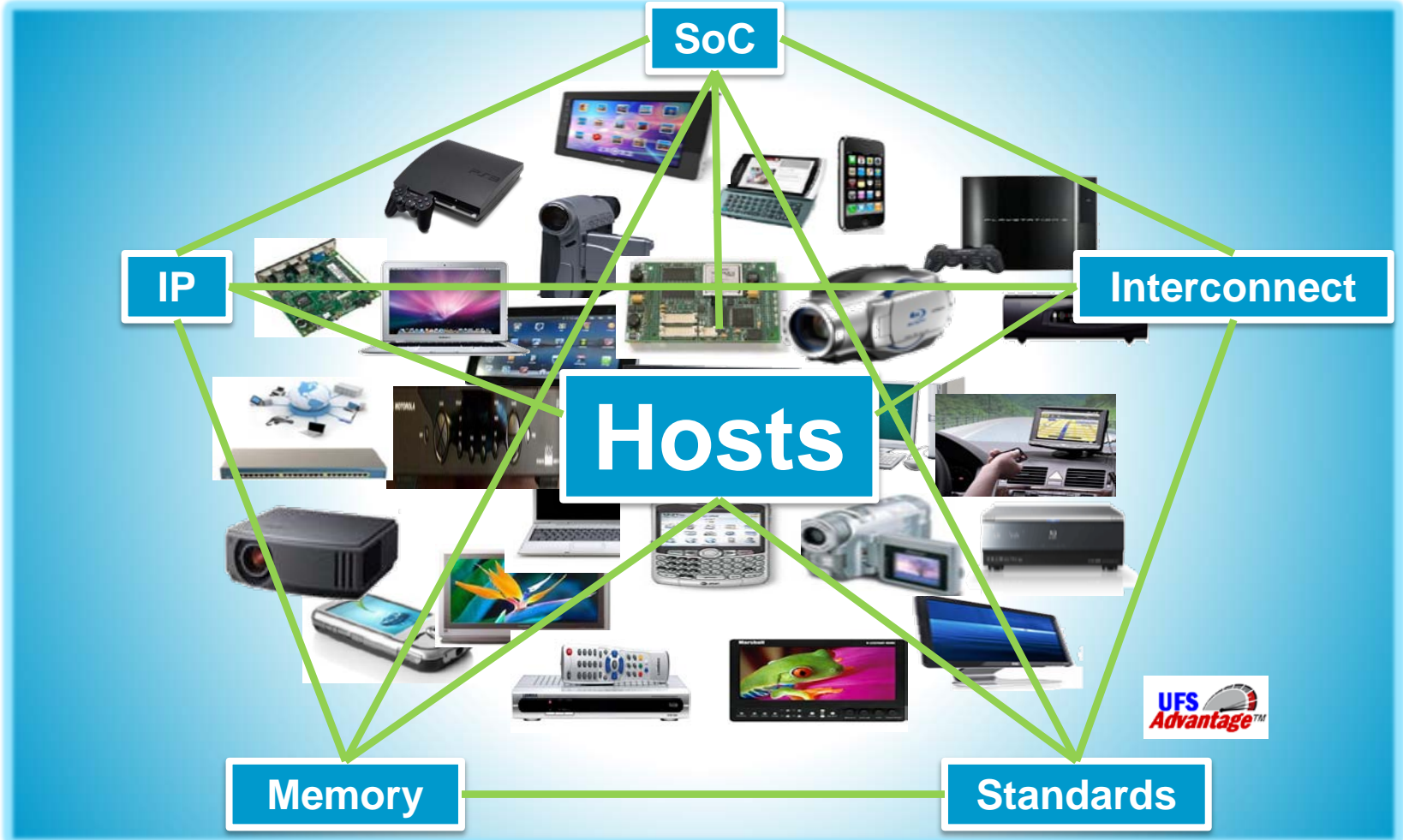


Perry Keller
Digital Standards and
Applications - Memory
Program Manager,
Keysight Technologies

Perry Keller is the team lead for Keysight Technologies Digital Applications and Standards Program and Manages its Memory Applications Program. He represents Keysight on the JEDEC and Universal Flash Storage Assn. Boards of Directors and is Chairman of the JEDEC JC40.5 and JC64.5 Logic and UFS Validation Committees as well as the UFSA Compliance Committee.

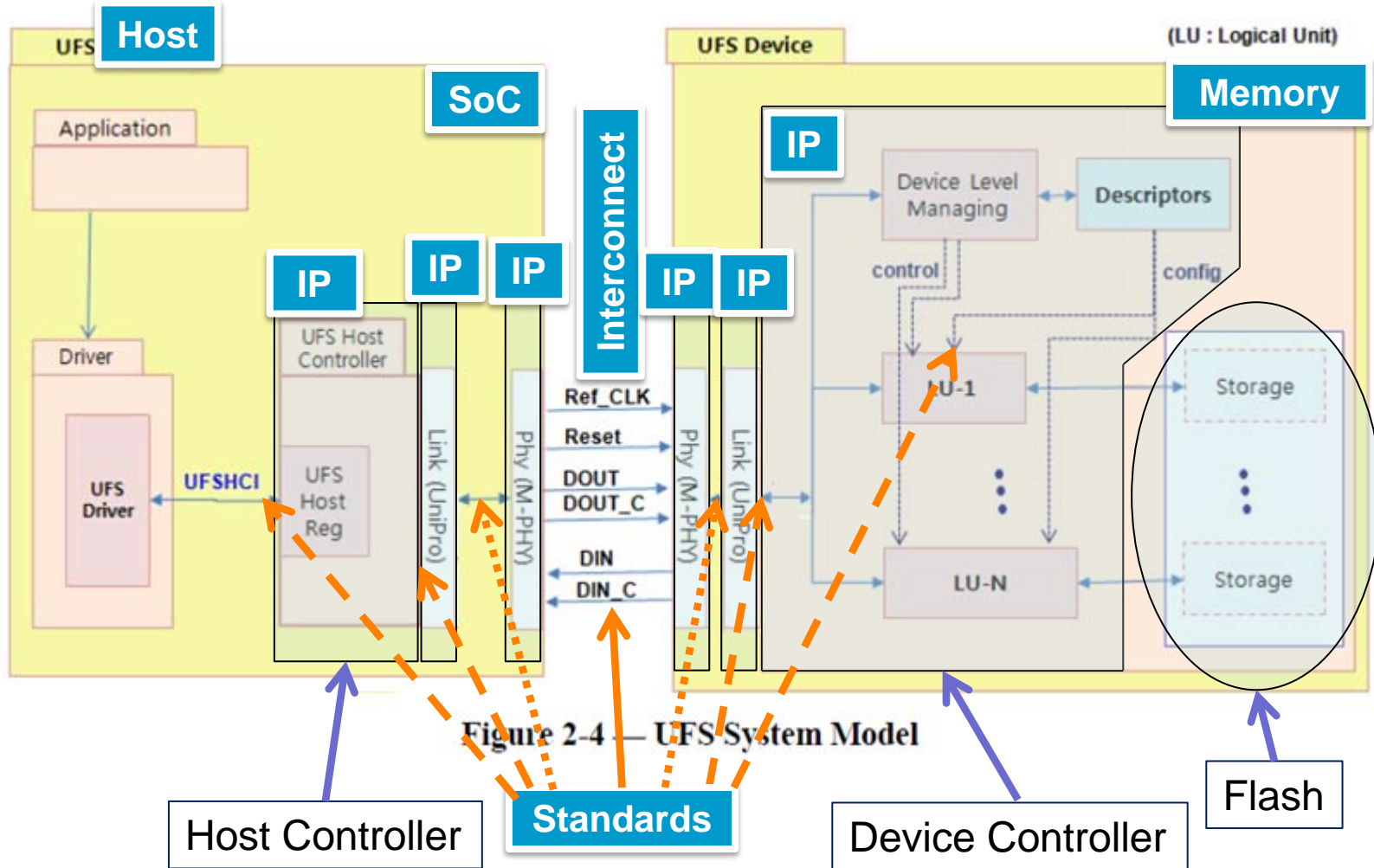
After receiving his Masters Degree in Electrical Engineering, Perry has worked for over 33 years at HP, Agilent and Keysight, serving in project management, architecture and R&D roles for hardware, software and ASIC development as well as marketing and product planning for high performance instruments and applications.

Interoperability Universe



Reliable implementation of standards is essential

Standard UFS Components





The Benefits of Compliance Testing

1. Framework for test automation and systematic coverage of entire spec
2. Provides a clear baseline for evaluation
3. Enables economical independent evaluation
4. Assures a consistent, positive end-user experience
5. Supports first movers as well as making broad based support achievable
6. Essential for an UFS' interoperability universe